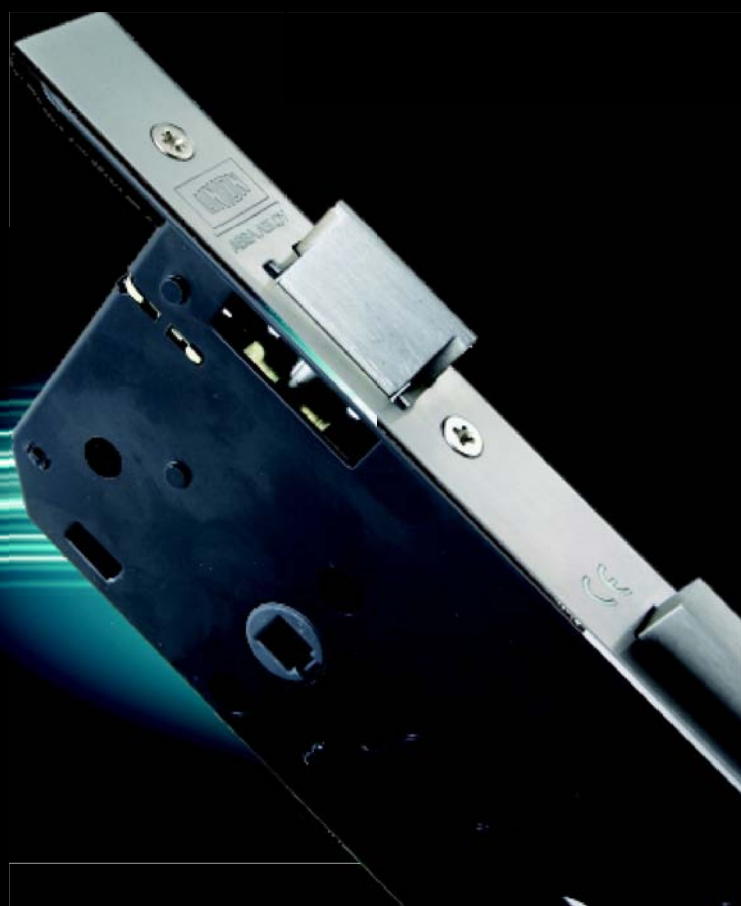


# Group 2 Mortice Locks & Conversion Sets



The UNION name has been synonymous with mortice locks since 1840. Today, UNION produce a wide range of products suitable for both architectural specification and residential use.

## Features and Functions

The following diagram gives an overview of the main features and functions of a UNION mortice lock.

## Key Control Systems

UNION lever mortice locks can be supplied individually keyed, keyed alike, key to pass or masterkeyed. See individual product pages for details. For cylinder mortice locks, please check the specification of each appropriate cylinder for keying information.

## Finishes

UNION mortice locks are available in a variety of finishes. See individual product pages for details.

### Operating Mechanism

The means by which the lock is operated

Lever Operated



Lever  
Mortice

Cylinder Operated



Euro  
Profile



Oval  
Profile

## Dead Locking

Locking the bolt so that it cannot be forced back



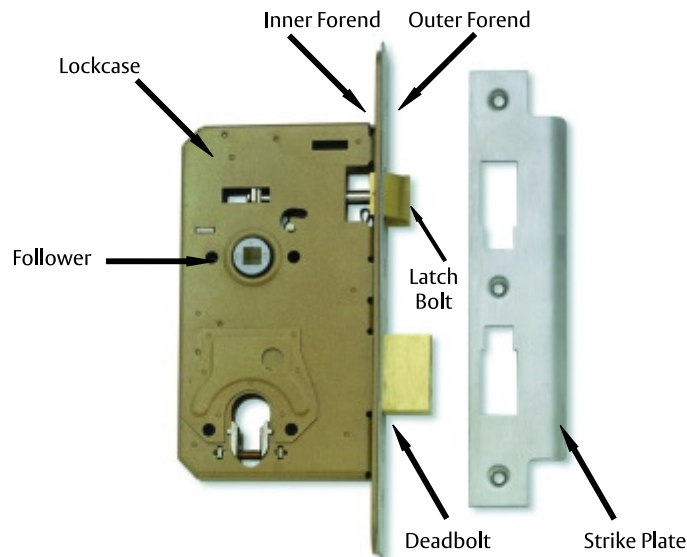
**Automatic**  
Every time the door is closed it is deadlocked



**Key**  
External or internal operation



**Thumbturn**  
Internal knob



## Locking Mechanism



Latch



Deadlocking Latch



Deadbolt

## Sizing a Lock

To help you select the correct mortice lock, the following is a basic guide to the key measurements and dimensions.

There are three main dimensions that apply to both lever operated locks and cylinder lock cases, namely: Case Size, Backset and Centres

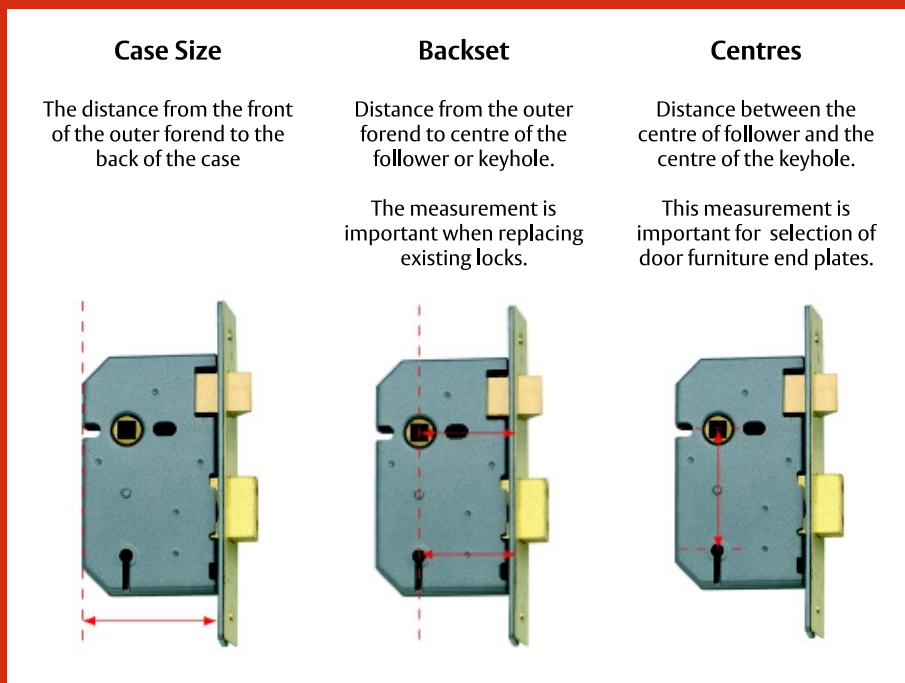
## Handing of Locks

A hinged door opens in one of four ways. Some UNION mortice locks will need you to specify which handing you require on order.

For details on handing, please refer to the introduction section.

## Rebate Components

On Rebated Meeting Styles of double door leaves to align the active and inactive door leaves.



## Grading of Locks

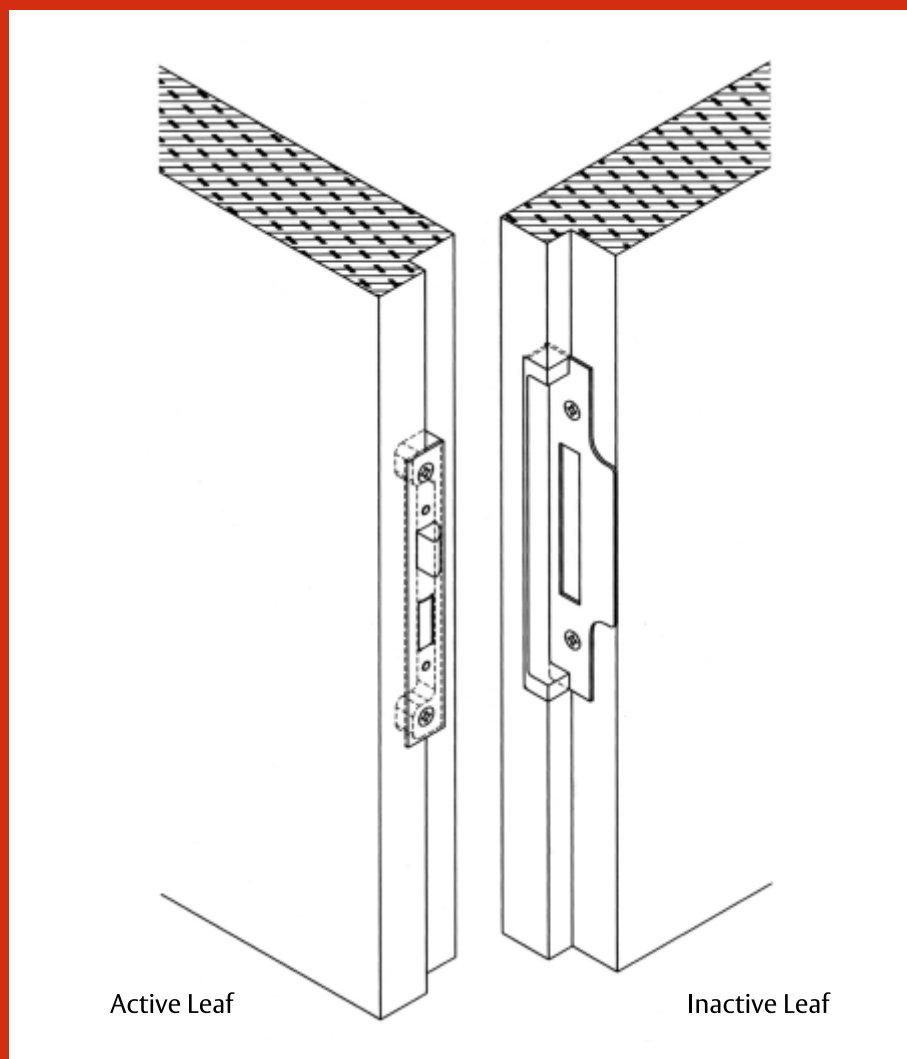
**'Commercial' Grade locks** are the premier range and are recommended for use in all applications e.g. Residential, Private Sector, Commercial Office, Retail and Entertainment Complexes and the whole spectrum of Public Sector Developments. These locks are of superior engineering design, robust construction, use thicker gauge metals and are subject to stringent testing. Their performance is guaranteed subject to correct application.

**'Standard' Grade locks** are designed to meet the demand for lower cost locks by Private and Public Sector developers who need to meet strict budgetary constraints. The locks are "value engineered" to meet functional requirements at reduced costs. The performance of this range will be inferior to that of "Commercial" Grade locks and ASSA ABLOY do not guarantee their performance in high traffic situations and in conditions where they could be subject to abuse. Caution should be exercised when using these locks in combination with heavy unsprung or poorly sprung lever handles.

## Rebate Conversion Sets

Locks fitted to double leaf doors with rebated meeting stiles require Rebate Conversion Sets. Figure 6 illustrates the two component parts of a typical Rebate Conversion Set, namely the striking plate portion which is fitted to the inactive leaf and the forend strip which is fitted behind the forend plate of the lock in the active leaf.

UNION Rebate Conversion Sets suit doors with 13mm deep rebated meeting stiles.



# Horizontal & Dead Locks

Subject to exchange rate fluctuations.  
Prices exclude VAT and are for registered vendors only.  
Full specification available on request or online.



L-2041-152

Oval Cylinder Horizontal Lock Case (Commercial)

Cylinder separate see section 9

Standard

L-2041-152PL  
L-2041-152SS



2077-152

3 Lever Horizontal Lock (Commercial) 36 Key Differs Standard

2077-152PL  
2077-152SC

Keyed Alike

2077-152PLKA

2077-152SCKA

Master Keyed

2077-152PLMKD

2077-152SCMKD

Grand Master Keyed

2077-152PLGMK

2077-152SCGMK



21311-76

2 Lever Dead Lock (Standard) 18 Key Differs

Standard

21311-76SS

21311-76PL



2157-78

3 Lever Dead Lock (Standard) 36 Key Differs Standard

2157-78PL

2157-78SS

Keyed Alike

2157-78PLKA

2157-78SSKA

Master Keyed

2157-78PLMKD

2157-78SSMKD

Grand Master Keyed

2157-78PLGMK

2157-78SSGMK



21314-76

Bathroom W/C Dead lock Standard

Standard

21314-76PL

21314-76SS



SS2016

Bathroom W/C Dead lock

Standard

SS2016SS

**Note:** Lever Locks are supplied with 2 keys as standard. For additional keys see group 10

**Forend Finish:**

PL - Brass

SS - Stainless Steel



ASSA ABLOY

# Dead & Upright Locks

Subject to exchange rate fluctuations.  
Prices exclude VAT and are for registered vendors only.  
Full specification available on request or online.



L-21315-76

**Euro Profile Cylinder Dead Lock Case (Standard)**

Cylinder separate see section 9



L-2109-78

**Euro Profile Cylinder Dead Lock Case (Commercial)**

Cylinder separate see section 9



L-2141-78

**Oval Cylinder Dead Lock Case (Commercial)**

Cylinder separate see section 9



2295-76

**2 Lever Upright Lock (Standard) 20 Key Differs**



2252-76

**3 Lever Upright Lock (Standard) 40 Key Differs**

**Standard**  
L-21315-76SS  
L-21315-76PL

**Standard**  
L-2109-78PL  
L-2109-78SS

**Standard**  
L-2141-78PL  
L-2141-78SS

**Standard**  
2295-76SS  
2295-76PL

**Standard**  
2252-76SS  
2252-76PL



22312-7615MMCH

**15mm Forend Finish: Chrome**

**Standard**  
22312-7615MMCH



2277-78

**3 Lever Upright Lock (Commercial) 100 Key Differs Standard**  
2277-78PL  
2277-78SS  
**Keyed Alike**  
2277-78PLKA  
2277-78SSKA  
**Master Keyed**  
2277-78PLMKD  
2277-78SSMKD  
**Grand Master Keyed**  
2277-78PLGMK  
2277-78SSGMK



2277-103

**3 Lever Upright Lock (Commercial) 36 Key Differs Standard**  
2277-103PL  
2277-103SS  
**Keyed Alike**  
2277-103PLKA  
2277-103SSKA  
**Master Keyed**  
2277-103PLMKD  
2277-103SSMKD  
**Grand Master Keyed**  
2277-103PLGMK  
2277-103SSGMK



22311-76

**2 Lever Upright Lock (Standard) 18 Key Differs**

**Standard**  
22311-76SS  
22311-76BP



22312-76

**3 Lever Upright Lock (Standard) 54 Key Differs**

**Standard**  
22312-76SS  
22312-76BP

**Note:** Lever Locks are supplied with 2 keys as standard. For additional keys see group 10

**Forend Finish:**  
CH - Chrome Plated  
PL - Brass  
SS - Stainless Steel





22313-76

4 Lever Upright Lock  
(Standard) 48 Key Differs

Standard  
22313-76SS  
22313-76BP



2261-76

4 Lever Upright Lock  
(Standard) 36 Key Differs

Standard  
2261-76SS  
2261-76PL



2201-78

5 Lever Thief Resistant  
Upright Lock  
Insurance Grade  
500 Key Differs  
Manufactured to BS872:  
1980

Standard  
2201-78PL  
2201-78SC



22314-76

Bathroom W/C Upright  
Lock (Standard)  
\*Handing must be specified

Standard  
22314L-76SS  
22314L-76PL  
22314R-76SS  
22314R-76PL



2226-78

Bathroom W/C Upright  
Lock (Commercial)

No cylinder required

Standard  
2226-78PL  
2226-78SS



L-22315-76

Euro Profile Cylinder  
Upright Lock Case  
(Standard)

Cylinder separate see  
section 9

Standard  
L-22315-76SS  
L-22315-76PL



L-23316-76

Euro Profile Cylinder  
Upright Lock Case with  
Drawback Latch

Cylinder separate see  
section 9

Standard  
L-23316-76SS  
L-23316-76PL



L-2209-78

Euro Profile Cylinder  
Upright Lock Case  
(Commercial)  
47.65mm Centres

Cylinder separate see  
section 9

Standard  
L-2209-78PL  
L-2209-78SS



L-2241-78

Oval Cylinder Upright Lock  
Case (Commercial)

Cylinder separate see  
section 9

Standard  
L-2241-78SS  
L-2241-78PL



L-2241-103

Oval Cylinder Upright Lock  
Case (Commercial)

Cylinder separate see  
section 9

Standard  
2241-103SS  
2241-103PL

**Note:** Lever Locks are supplied with 2 keys as standard. For additional keys see group 10

**Forend Finish:**  
PL - Brass  
SS - Stainless Steel  
SC - Satin Chrome

# Upright Locks

Subject to exchange rate fluctuations.  
Prices exclude VAT and are for registered  
vendors only.  
Full specification available on request or online.



L-23803-85

**Euro Profile Cylinder  
Upright Lock Case  
(Commercial)**

Cylinder separate see  
section 9

L-23803-85SS  
L-23803-85PL



L-2215-78SS/SL

**Euro Profile Mortice Sash  
Lock with Silent Latch**

Cylinder separate see  
section 9

L-2215-78SS/SL

**Forend Finish:**  
PL - Brass  
SS - Stainless Steel



# Emergency Exit Locks & Night Latches

Subject to exchange rate fluctuations.  
Prices exclude VAT and are for registered  
vendors only.  
Full specification available on request or online.



L-23318-76

Emergency Exit Night Latch  
Case with Anti-thrust Lock  
(Standard)

\*Handling must be specified

Cylinder separate see  
section 9

**Standard**

- L-23318L-76SS
- L-23318L-76PL
- L-23318R-76SS
- L-23318R-76PL



L-2349-78

Euro Profile Emergency Exit  
Night Latch Case  
(Commercial)

Cylinder separate see  
section 9

**Standard**

- L-2349-78PL
- L-2349-78SS



L-2341-78

Oval Cylinder Emergency  
Exit Night Latch Case  
(Commercial)

Cylinder separate see  
section 9

**Standard**

- L-2341-78PL
- L-2341-78SS

**Note:** Lever Locks are supplied with 2 keys as standard. For additional keys see group 10

**Forend Finish:**

- PL - Brass
- SS - Stainless Steel



**ASSA ABLOY**

# Sliding Door Locks & Mortice Latches

Subject to exchange rate fluctuations.  
Prices exclude VAT and are for registered  
vendors only.  
Full specification available on request or online.



2457-78

**3 Lever Claw Bolt Sliding Door Lock (Commercial)**  
36 Key Differs  
Standard  
2457-78PL  
2457-78SS  
Keyed Alike  
2457-78PLKA  
2457-78SSKA  
Master Keyed  
2457-78PLMKD  
2457-78SSMKD  
Grand Master Keyed  
2457-78PLGMK  
2457-78SSGMK



24313-76

**4 Lever Claw Bolt Sliding Door Lock (Standard)**  
48 Key Differs

Standard  
24313-76SS  
24313-76PL



24314-76

**Bathroom W/C Claw Bolt Sliding Door Lock (Standard)**

24314-76SS  
24314-76PL



24315-76

**Euro Profile Claw Bolt Sliding Door Lock Case (Standard)**

24315-76SS  
24315-76PL



L-2441-78

**Oval Cylinder Claw Bolt Sliding Door Lock Case (Commercial)**

L-2441-78SS  
L-2441-78PL



26310-76

**Mortice Latch (Standard)**

Standard  
26310-76SS  
26310-76PL



2657-78

**Mortice Latch (Commercial)**

Standard  
2657-78SS  
2657-78PL

**Note:** Lever Locks are supplied with 2 keys as standard. For additional keys see group 10

**Forend Finish:**  
PL - Brass  
SS - Stainless Steel



**ASSA ABLOY**



L-2241-65

Oval Cylinder Upright Lock  
Case (Commercial)

Cylinder separate see  
section 9

**Standard**  
L-2241-65PL  
L-2241-65SS



24313-55

Narrow Stile Sliding Door 4  
Lever Wing Bolt Lock Case  
(Standard) 48 Key Differs  
Backset: 39mm  
Case Depth: 55mm

**Standard**  
24313-55CH  
24313-55PL  
Keyed Alike  
24313-55CHKA  
24313-55PLKA



L-24315-55

Narrow Stile Sliding Door  
Euro Profile Cylinder Wing  
Bolt Lock Case (Standard)  
Backset: 39mm  
Case Depth: 55mm

Cylinder separate see  
section 9

**Standard**  
L-24315-55CH  
L-24315-55PL

**Note:** Lever Locks are supplied with 2 keys as standard. For additional keys see group 10

**Forend Finish:**  
PL - Brass  
SS - Stainless Steel  
CH - Chrome



**ASSA ABLOY**

# Narrow Stile Hook & Swing Bolt Locks

Subject to exchange rate fluctuations.  
Prices exclude VAT and are for registered  
vendors only.  
Full specification available on request or online.



4241255NM

**Narrow Stile Euro Profile  
Cylinder Hook Bolt Lock  
Case**  
Backset: 25mm  
Case Depth: 38mm

Cylinder separate see  
section 9  
Backset measured from back  
to fore-end

**Standard**  
4241255NM



4241305NM

**Narrow Stile Euro Profile  
Mortice Swinging Hook  
Bolt**  
Backset: 30mm  
Case Depth: 43mm

Cylinder separate see  
section 9  
Backset measured from back  
to fore-end

**Standard**  
4241305NM



4211255NM

**Narrow Stile Euro Profile  
Cylinder Dead Lock Case**  
Backset: 25mm  
Case Depth: 38mm

Cylinder separate see  
section 9  
Backset measured from back  
to fore-end

**Standard**  
4211255NM



4211305NM

**Narrow Stile Euro Profile  
Cylinder Dead Lock Case**  
Backset: 30mm  
Case Depth: 43mm

Cylinder separate see  
section 9  
Backset measured from back  
to fore-end

**Standard**  
4211305NM

**Note:** Lever Locks are supplied with 2 keys as standard. For additional keys see group 10

**Forend Finish:**  
NM - Nickel Machined

# Other Narrow Stile & Mortice Locks

Subject to exchange rate fluctuations.  
Prices exclude VAT and are for registered  
vendors only.  
Full specification available on request or online.



QR25X85MM-SS

UNION Narrow Stile Euro Profile Cylinder Upright Lock Case with Single Throw Bolt and Roller Latch  
Backset: 25mm  
Case Depth: 40mm

Cylinder separate see section 9

Standard  
QR25X85MM-SS



QR35X85MM-SS

UNION Narrow Stile Euro Profile Cylinder Upright Lock Case with Single Throw Bolt and Roller Latch  
Backset: 35mm  
Case Depth: 50mm

Cylinder separate see section 9

Standard  
QR35X85MM-SS



QD25X85MM-SS

UNION Narrow Stile Euro Profile Cylinder Deadbolt Mortice Lock  
Backset: 25mm  
Case Depth: 40mm

Cylinder separate see section 9

Standard  
QD25X85MM-SS



QD35X85MM-SS

UNION Narrow Stile Euro Profile Cylinder Deadbolt Mortice Lock  
Backset: 35mm  
Case Depth: 50mm

Cylinder separate see section 9

Standard  
QD35X85MM-SS



Q25X85MM-SS

UNION Narrow Stile Euro Profile Cylinder Latch & Deadbolt Mortice Lock  
Backset: 25mm  
Case Depth: 40mm

Cylinder separate see section 9

Standard  
Q25X85MM-SS



Q35X85MM-SS

UNION Narrow Stile Euro Profile Cylinder Latch & Deadbolt Mortice Lock  
Backset: 35mm  
Case Depth: 50mm

Cylinder separate see section 9

Standard  
Q35X85MM-SS



QR60X85MM

UNION Upright Lock Case Euro Profile Cylinder with Double Throw Dead Bolt and Roller Latch  
Backset: 60mm  
Case Depth: 85mm

Cylinder separate see section 9

Standard  
QR60x85MM-SS  
QR60x85MM-PB



Q60X85MM

UNION Upright Lock Case Euro Profile Cylinder with Double Throw Dead Bolt Mortice Lock  
Backset: 60mm  
Case Depth: 85mm

Cylinder separate see section 9

Standard  
Q60x85MM-SS  
Q60x85MM-PB

Forend Finish:  
SS - Stainless Steel  
PB - Polished Brass





2700

## FOR MORTICE HORIZONTAL LOCKS

		Set
L-2041-152	Rebate Conversion Set for 3 Lever Horizontal Lock	2939PL 2939SC
2077-152	Rebate Conversion Set for 3 Lever Horizontal Lock	2939PL 2939SC

## FOR MORTICE DEAD LOCKS

		Set
21311-76	Rebate Conversion Set for 2 Lever Dead Lock	2700PL 2700SS
2157-78	Rebate Conversion Set for 3 Lever Dead Lock	2900PL 2900SS
21313-76	Rebate Conversion Set for 4 Lever Dead Lock *Prefix 'B' denotes brass striker plate portion	2700PL 2700SS
21314-76	Rebate Conversion Set for Bathroom W/C Dead Lock	2700PL 2700SS
L-21315-76	Rebate Conversion Set for Euro Profile Cylinder Dead Lock	2700PL 2700SS
L-2109-78	Rebate Conversion Set for Euro Profile Cylinder Dead Lock	2900PL 2900SS
L-2141-78	Rebate Conversion Set for Oval Cylinder Dead Lock	2900PL 2900SS



2900

**Finishes:**  
SS - Stainless Steel  
PL - Brass  
SC - Satin Chrome



## FOR MORTICE UPRIGHT LOCKS

		Set
22954-76	Rebate Conversion Set for 2 Lever Upright Lock	2700PL 2700SS
2295-76	Rebate Conversion Set for 2 Lever Upright Lock	2700PL 2700SS
22311-76	Rebate Conversion Set for 2 Lever Upright Lock	2700PL 2700SS
2252-76	Rebate Conversion Set for 3 Lever Upright Lock	2700PL 2700SS
22312-76	Rebate Conversion Set for 3 Lever Upright Lock	2700PL 2700SS
2277-78	Rebate Conversion Set for 3 Lever Upright Lock	2900PL 2900SS
2277-103	Rebate Conversion Set for 3 Lever Upright Lock	2900PL 2900SS
2261-76	Rebate Conversion Set for 4 Lever Upright Lock	2700PL 2700SS
22313-76	Rebate Conversion Set for 4 Lever Upright Lock	2700PL 2700SS
22314-76	Rebate Conversion Set for Bathroom W/C Upright Lock	2700PL 2700SS
2226-78	Rebate Conversion Set for Bathroom W/C Upright Lock	2900PL 2900SS
L-22315-76	Rebate Conversion Set for Euro Profile Upright Lock	2700PL 2700SS
L-22316-76	Rebate Conversion Set for Euro Profile Cylinder Lock Case with Drawback Latch	2700PL 2700SS
L-2209-78	Rebate Conversion Set for Euro Profile Cylinder Upright Lock	2900PL 2900SS
L-2241-78	Rebate Conversion Set for Oval Cylinder Upright Lock	2900PL 2900SS
L-2241-103	Rebate Conversion Set for Oval Cylinder Upright Lock	2900PL 2900SS



**Finishes:**  
SS - Stainless Steel  
PL - Brass



**ASSA ABLOY**



## FOR MORTICE UPRIGHT LOCKS

		Set
2277-78	Rebate Conversion Set for 3 Lever Upright Lock	2900PL 2900SS
L-2215-78SS/SL	Rebate Conversion Set for Euro Profile Mortice Sash Lock with Silent Latch	2915SC 2915BP

## FOR MORTICE EMERGENCY EXIT NIGHT LATCHES



		Set
L-2349-78	Rebate Conversion Set for Emergency Exit Profile Cylinder Night Latch	2942PL 2942SC
L-2341-78	Rebate Conversion Set for Emergency Oval Cylinder Night Latch	2942PL 2942SC

## FOR MORTICE LATCHES

		Set
26310-76	Rebate Conversion Set for Latch	2700PL 2700SC
L-2657-78	Rebate Conversion Set for Mortice Latch	2900PL 2900SC

**Finishes:**  
SS - Stainless Steel  
PL - Brass  
BP - Brass Plated

